

FLOOR PLAN

SCALE: NTS
 ARCH REF: 3 of 12
 4 of 12
 5 of 12
 QUANTITY: TYPE 1 - 02, TYPE 2 - 02,
 TYPE 3 - 01, TYPE 4 - 01,
 TYPE 5 - 01, TYPE 6 - 02,
 TYPE 7 - 02, TYPE 8 - 01,
 TYPE 9 - 01, TYPE 10 - 01

1

NEW BUILDING

GLASS WALL SYSTEM(S):
 KAWNEER 501 STOREFRONT SYSTEM
 KAWNEER 450 STOREFRONT SYSTEM
 KAWNEER 350 DOORS ON 501 STOREFRONT SYSTEM
 KAWNEER 190 DOORS ON 450 STOREFRONT SYSTEM



NO.	DATE	DESCRIPTION
1	10/09/19	First Submittal

CONTRACTOR'S GLASS PRODUCTS
 7701 WEBER RD, CORPUS CHRISTI, TX 78315
 WORK (361) 854-8188 FAX (361) 854-4412

PROJECT: **BECK & MASTEN COASTAL BEND**
NEW BUILDING
 ARCHITECT: **VOSS ENGINEERING, INC**
 (361) 854-6202
 GENERAL CONTRACTOR: **VICTORY BUILDING TEAM**
 (361) 991-5600

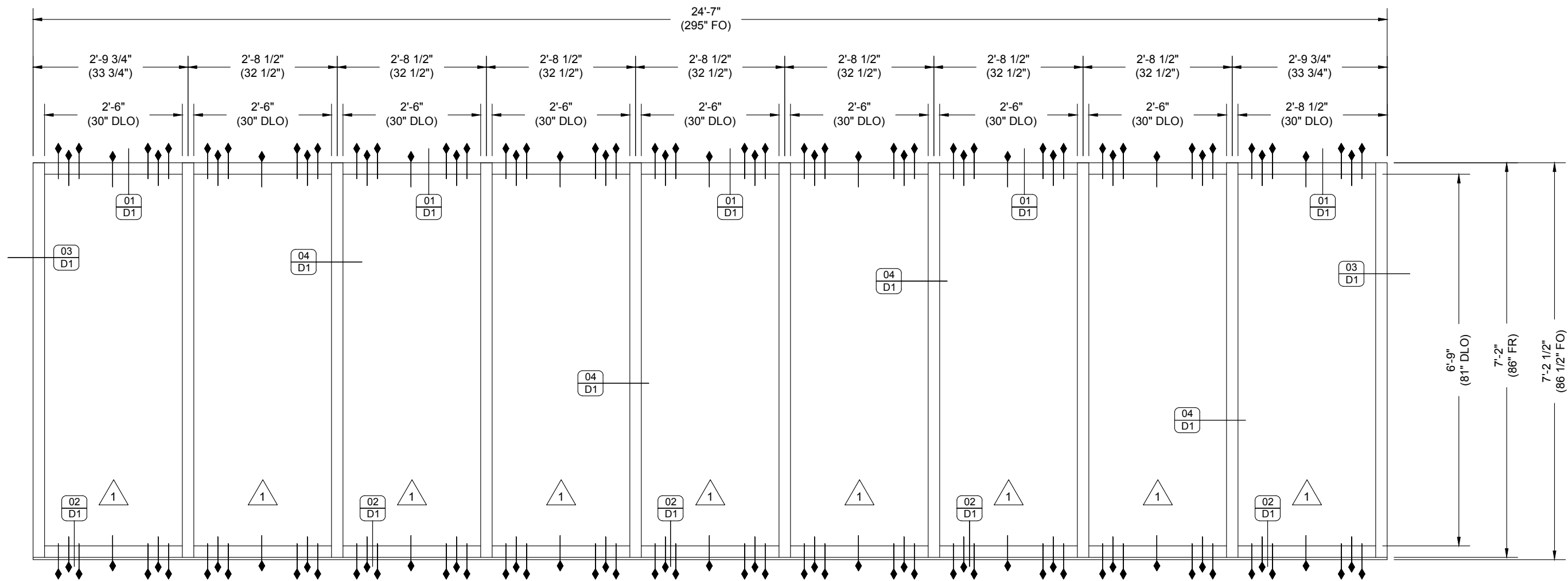
PROJECT NO. **CGP-1910-01**

DRAWN BY: **fp** DATE: **10/09/19**

SCALE: **NTS**

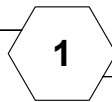
DRAWING: **FLOOR PLANS**

SHEET: **P1**



ELEVATION

QUANTITY: 02
 SCALE: 1/2" = 1'-0"
 ARCH REF: 3 of 12
 4 of 12



1 STOREFRONT WINDOW

KAWNEER 2 1/2" X 5" IR 501 ALUMINUM STOREFRONT SYSTEM

DESCRIPTION	
1	First Submittal
fp	DATE
10/09/19	

CONTRACTOR'S GLASS PRODUCTS
 7701 WEBER RD, CORPUS CHRISTI, TX 78315
 WORK (361) 854-8188 FAX (361) 854-4412

PROJECT: BECK & MASTEN COASTAL BEND
NEW BUILDING
 ARCHITECT: VOSS ENGINEERING, INC
 (361) 854-6202
 GENERAL CONTRACTOR: VICTORY BUILDING TEAM
 (361) 991-5600

PROJECT NO. CGP-1910-01

DRAWN BY: fp DATE: 10/09/19

SCALE: 1/2" = 1'-0"

DRAWING: ELEVATIONS

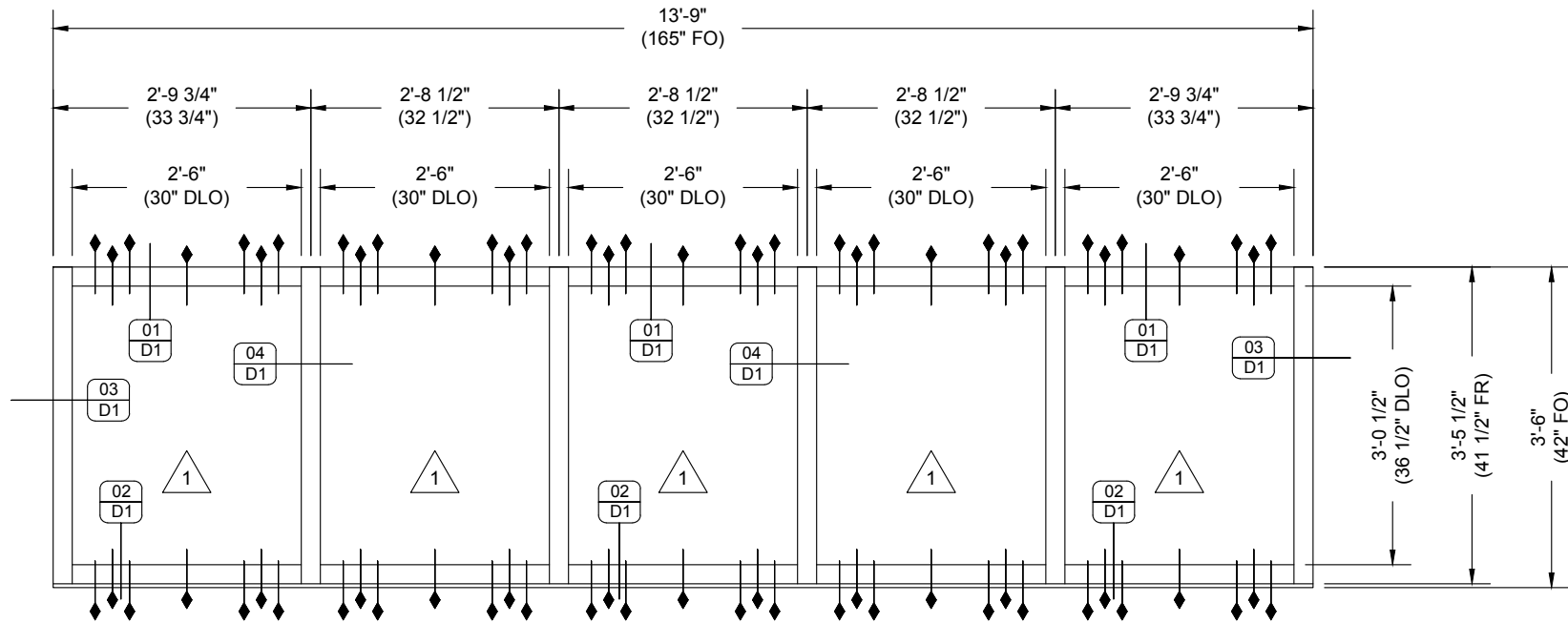
SHEET: E1

NO.	DATE	DESCRIPTION
1	10/09/19	First Submittal

CONTRACTOR'S GLASS PRODUCTS
 7701 WEBER RD, CORPUS CHRISTI, TX 78315
 WORK (361) 854-8188 FAX (361) 854-4412

PROJECT: **BECK & MASTEN COASTAL BEND NEW BUILDING**
 ARCHITECT: **VOSS ENGINEERING, INC**
 (361) 854-6202
 GENERAL CONTRACTOR: **VICTORY BUILDING TEAM**
 (361) 991-5600

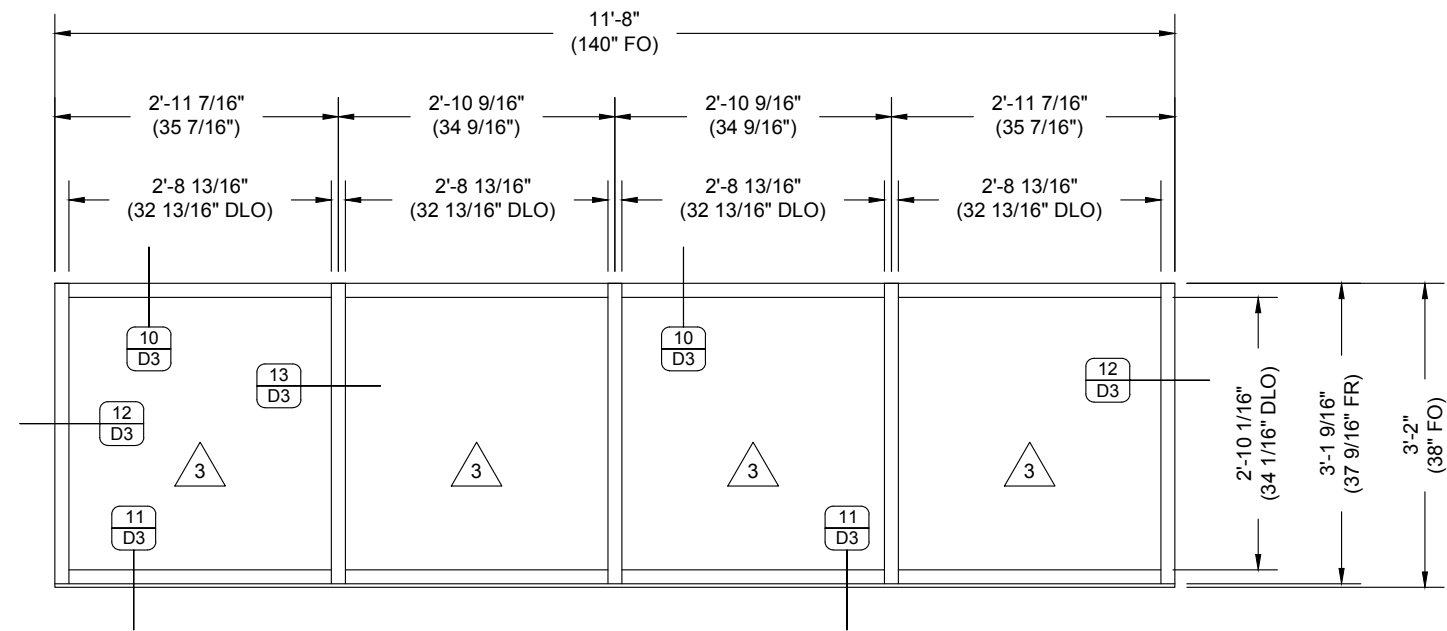
PROJECT NO.	CGP-1910-01
DRAWN BY	fp
DATE	10/09/19
SCALE	1/2" = 1'-0"
DRAWING	ELEVATIONS
SHEET	E3



ELEVATION

QUANTITY: 01
 SCALE: 1/2" = 1'-0"
 ARCH REF: 3 of 12
 4 of 12

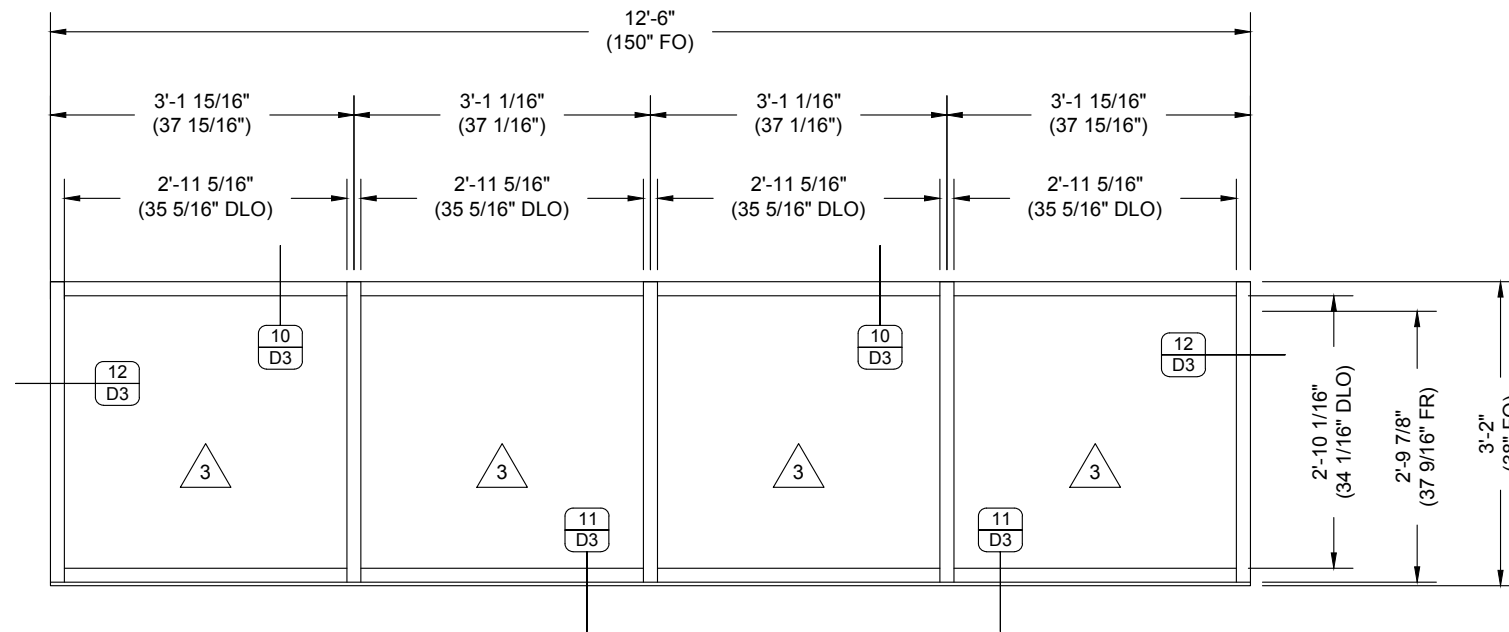
3 STOREFRONT WINDOW
 KAWNEER 2 1/2" X 5" IR 501 ALUMINUM STOREFRONT SYSTEM



ELEVATION

QUANTITY: 02
 SCALE: 1/2" = 1'-0"
 ARCH REF: 3 of 12
 4 of 12

6 STOREFRONT WINDOW
 KAWNEER 1 3/4" X 4 1/2" TRIFAB 450 ALUMINUM STOREFRONT SYSTEM

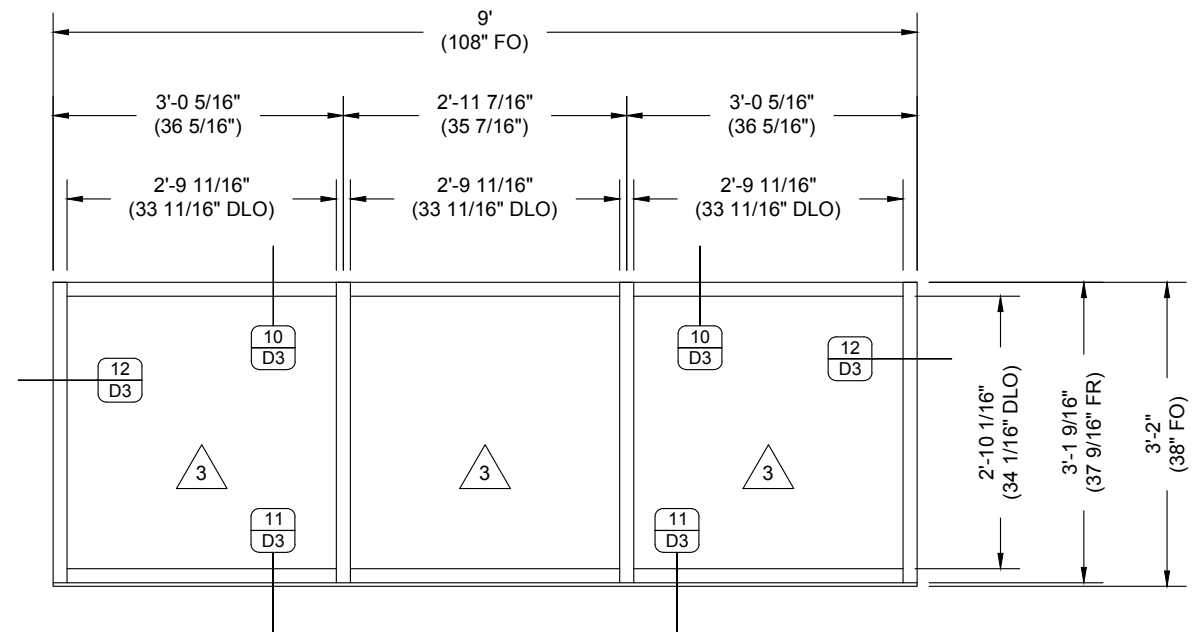


ELEVATION

QUANTITY: 02
SCALE: 1/2" = 1'-0"
ARCH REF: 3 of 12
4 of 12

7 STOREFRONT WINDOW

KAWNEER 1 3/4" X 4 1/2" TRIFAB 450 ALUMINUM STOREFRONT SYSTEM



ELEVATION

QUANTITY: 01
SCALE: 1/2" = 1'-0"
ARCH REF: 3 of 12
4 of 12

8 STOREFRONT WINDOW

KAWNEER 1 3/4" X 4 1/2" TRIFAB 450 ALUMINUM STOREFRONT SYSTEM

NO.	DATE	DESCRIPTION
1	10/09/19	First Submittal

CONTRACTOR'S GLASS PRODUCTS
7701 WEBER RD, CORPUS CHRISTI, TX 78315
WORK (361) 854-8188 FAX (361) 854-4412

PROJECT
BECK & MASTEN COASTAL BEND
NEW BUILDING
ARCHITECT
VOSS ENGINEERING, INC
(361) 854-6202
GENERAL CONTRACTOR
VICTORY BUILDING TEAM
(361) 991-5600

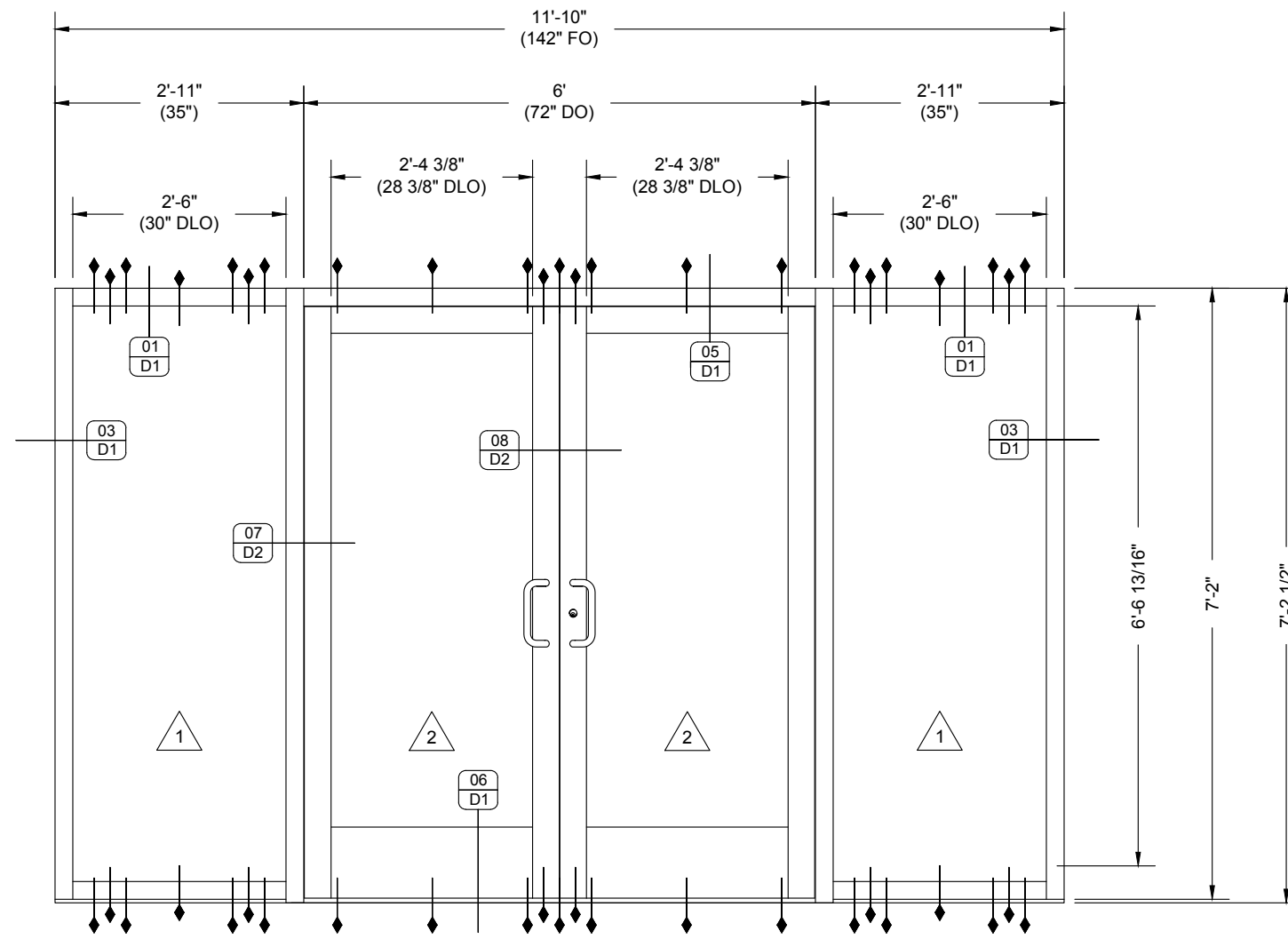
PROJECT NO.
CGP-1910-01

DRAWN BY fp **DATE** 10/09/19

SCALE
1/2" = 1'-0"

DRAWING
ELEVATIONS

SHEET
E4



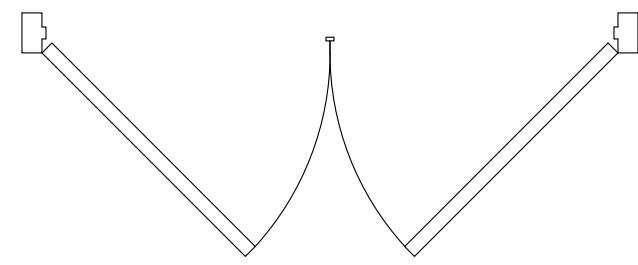
DOOR NUMBER
4

DOOR HARDWARE SCHEDULE:
 MANUFACTURER'S STD. BUTT HINGES, DEADBOLT LOCKS, FLUSH BOLTS, CYLINDER/THUMTURN, ADA 10" BOTTOM RAILS, THRESHOLDS, C-09 PULL/PUSH BARS, AND OVERHEAD SURFACE-MOUNT ADJUSTABLE CLOSERS

ELEVATION

QUANTITY: 01
 SCALE: 1/2" = 1'-0"
 ARCH REF: 3 of 12
 4 of 12
 DOOR NUMBER: 4

4 ENTRANCE DOORS
 KAWNEER 350 DOORS ON 2 1/2" X 5" IR 501 ALUMINUM STOREFRONT FRAMING

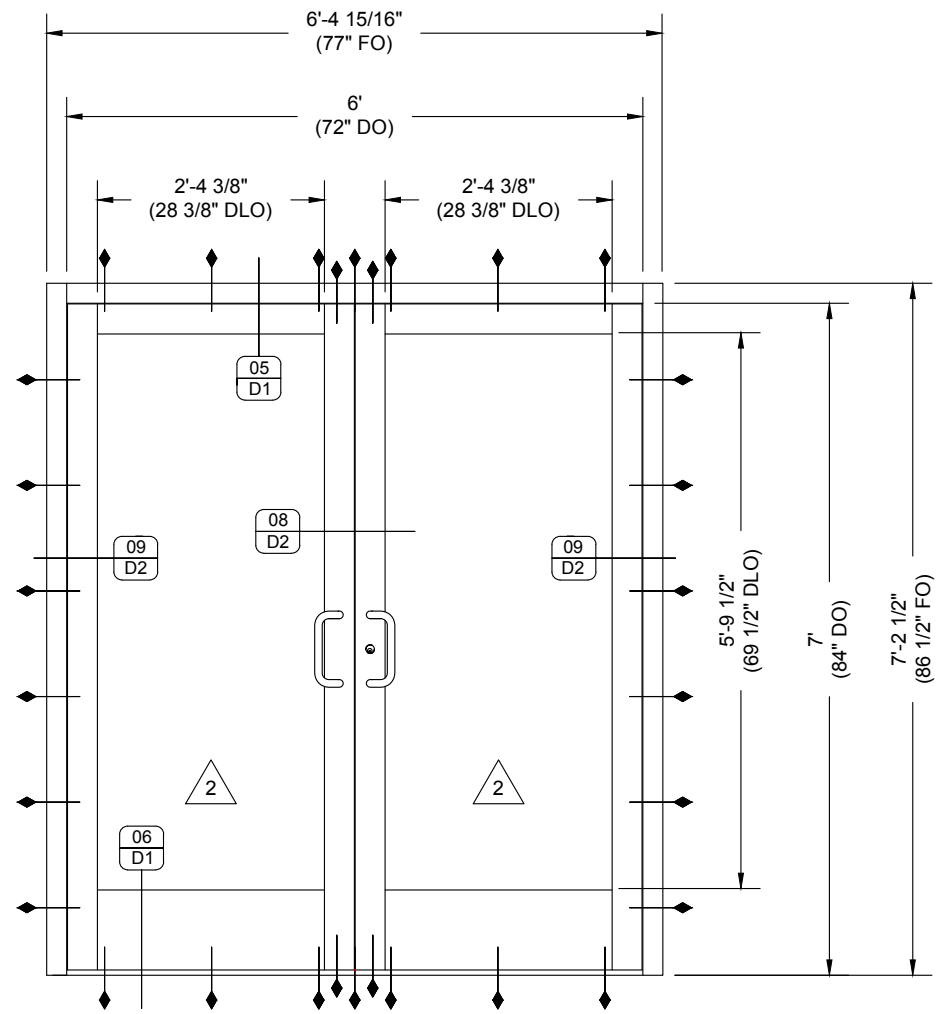


NO.	DATE	BY	DESCRIPTION
1	10/09/19	fp	First Submittal

CONTRACTOR'S GLASS PRODUCTS
 7701 WEBER RD, CORPUS CHRISTI, TX 78315
 WORK (361) 854-8188 FAX (361) 854-4412

PROJECT: **BECK & MASTEN COASTAL BEND NEW BUILDING**
 ARCHITECT: **VOSS ENGINEERING, INC**
 (361) 854-6202
 GENERAL CONTRACTOR: **VICTORY BUILDING TEAM**
 (361) 991-5600

PROJECT NO.	CGP-1910-01
DRAWN BY	fp
DATE	10/09/19
SCALE	1/2" = 1'-0"
DRAWING	ELEVATIONS
SHEET	E5



DOOR NUMBER
5

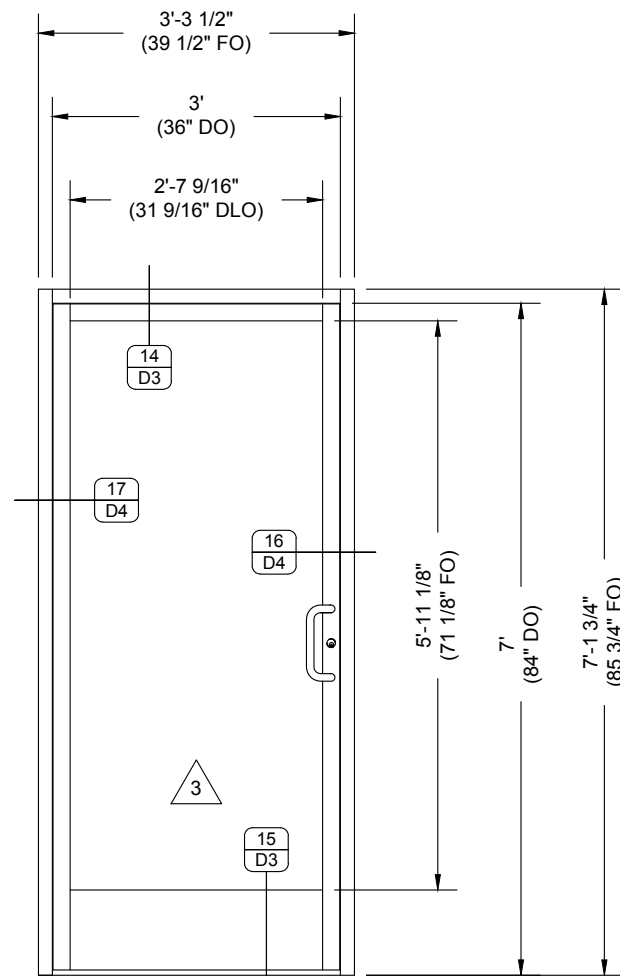
DOOR HARDWARE SCHEDULE:
 MANUFACTURER'S STD. BUTT
 HINGES, DEADBOLT LOCKS,
 FLUSH BOLTS,
 CYLINDER/THUMTURN, ADA
 10\"/>

ELEVATION

QUANTITY: 01
 SCALE: 1/2\"/>

5 DOUBLE DOORS

KAWNEER 350 DOOR ON 2 1/2\"/>



DOOR NUMBER
9

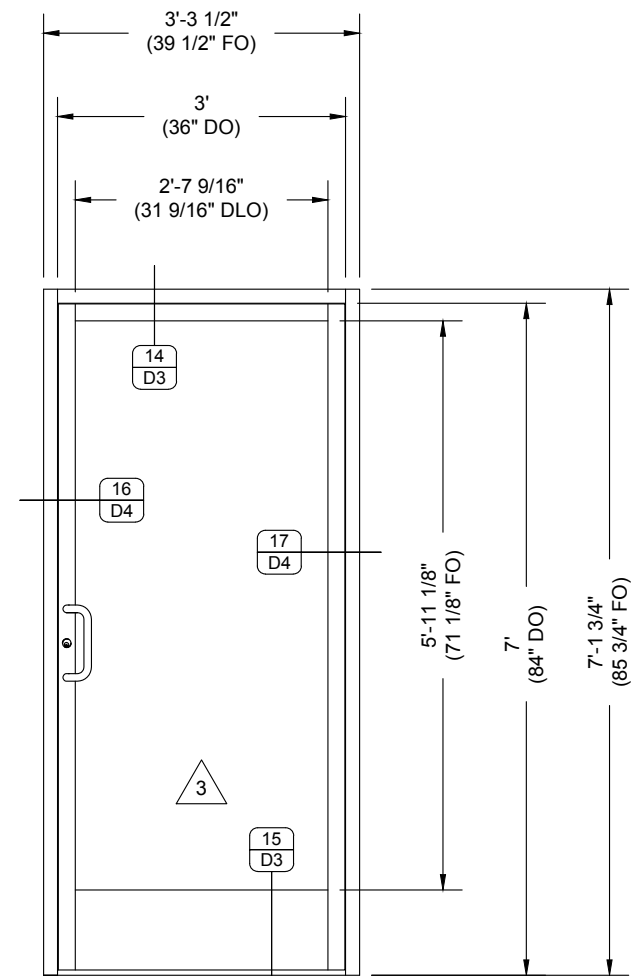
DOOR HARDWARE SCHEDULE:
 MANUFACTURER'S STD. BUTT
 HINGES, DEADBOLT LOCKS,
 FLUSH BOLTS,
 CYLINDER/THUMTURN, ADA
 10\"/>

ELEVATION

QUANTITY: 01
 SCALE: 1/2\"/>

9 SINGLE DOOR (LH)

KAWNEER 190 DOOR ON 1 3/4\"/>



DOOR NUMBER
10

DOOR HARDWARE SCHEDULE:
 MANUFACTURER'S STD. BUTT
 HINGES, DEADBOLT LOCKS,
 FLUSH BOLTS,
 CYLINDER/THUMTURN, ADA
 10\"/>

10 SINGLE DOOR (RH)

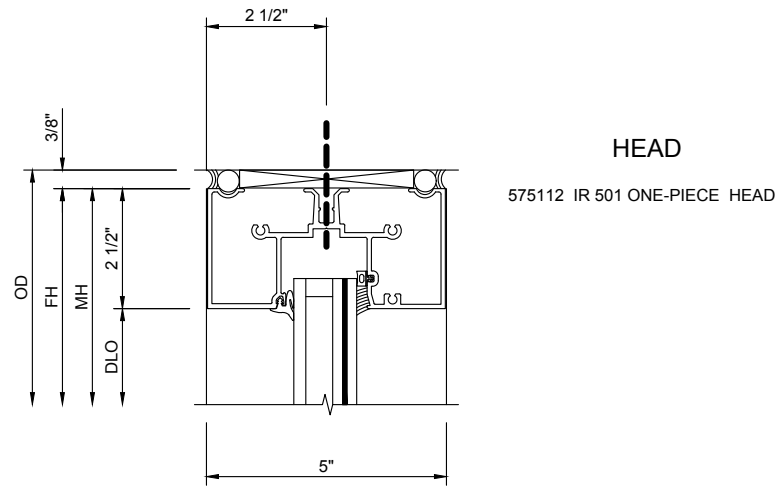
KAWNEER 190 DOOR ON 1 3/4\"/>

CONTRACTOR'S GLASS PRODUCTS
 7701 WEBER RD, CORPUS CHRISTI, TX 78315
 WORK (361) 854-8188 FAX (361) 854-4412

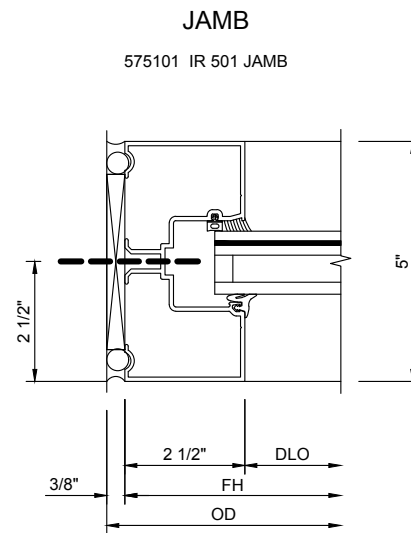
PROJECT
**BECK & MASTEN COASTAL BEND
 NEW BUILDING**
 ARCHITECT
VOSS ENGINEERING, INC
 (361) 854-6202
 GENERAL CONTRACTOR
VICTORY BUILDING TEAM
 (361) 991-5600

PROJECT NO.	CGP-1910-01
DRAWN BY	fp
DATE	10/09/19
SCALE	1/2\"/>
DRAWING	ELEVATIONS
SHEET	E6

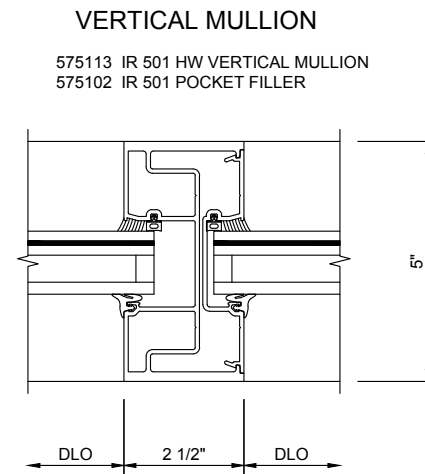
NO.	SUB	BY	DATE	DESCRIPTION
1		fp	10/09/19	First Submittal



HEAD
 575112 IR 501 ONE-PIECE HEAD



JAMB
 575101 IR 501 JAMB



VERTICAL MULLION
 575113 IR 501 HW VERTICAL MULLION
 575102 IR 501 POCKET FILLER

DETAIL

SCALE: 3" = 1'-0"
 ARCH REF: N/A

01 HEAD

GLASS WALL SYSTEM TYPE:
 KAWNEER 2 1/2" X 5" IR 501 ALUMINUM
 STOREFRONT FRAMING

DETAIL

SCALE: 3" = 1'-0"
 ARCH REF: N/A

03 JAMB AT WALL

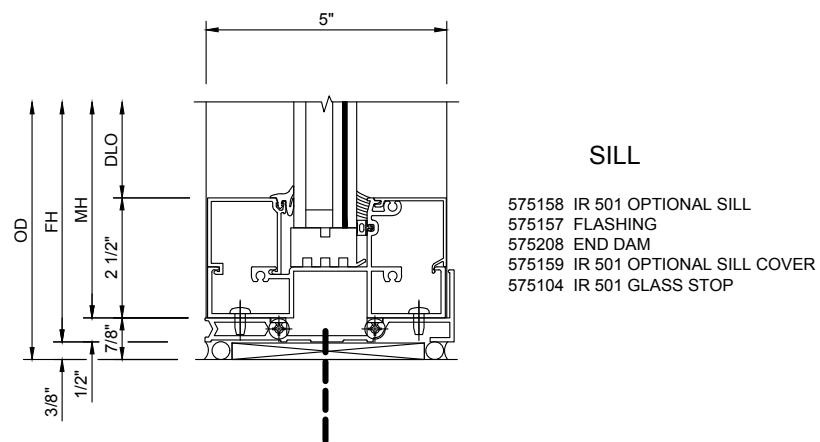
GLASS WALL SYSTEM TYPE:
 KAWNEER 2 1/2" X 5" IR 501 ALUMINUM
 STOREFRONT FRAMING

DETAIL

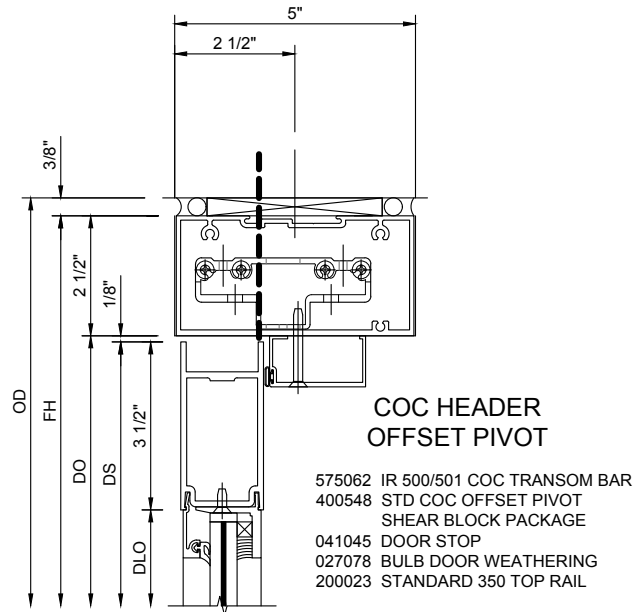
SCALE: 3" = 1'-0"
 ARCH REF: N/A

04 VERTICAL

GLASS WALL SYSTEM TYPE:
 KAWNEER 2 1/2" X 5" IR 501 ALUMINUM
 STOREFRONT FRAMING

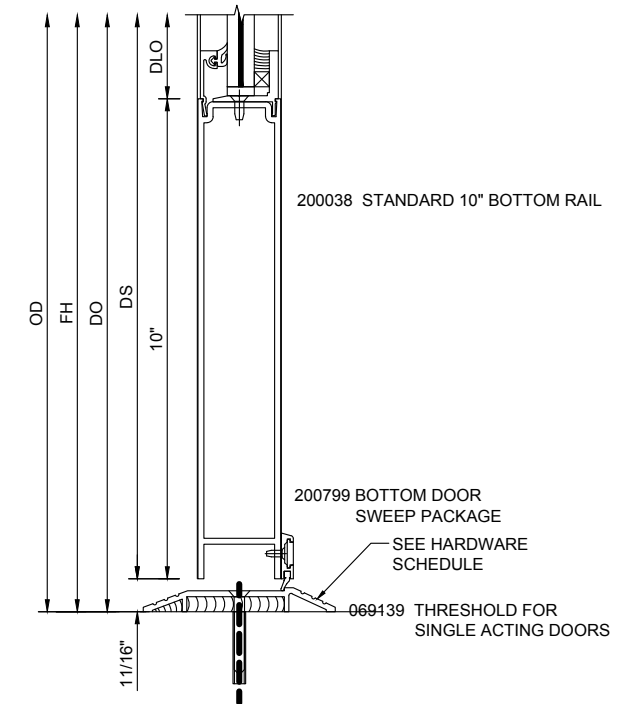


SILL
 575158 IR 501 OPTIONAL SILL
 575157 FLASHING
 575208 END DAM
 575159 IR 501 OPTIONAL SILL COVER
 575104 IR 501 GLASS STOP



**COC HEADER
 OFFSET PIVOT**

575062 IR 500/501 COC TRANSOM BAR
 400548 STD COC OFFSET PIVOT
 SHEAR BLOCK PACKAGE
 041045 DOOR STOP
 027078 BULB DOOR WEATHERING
 200023 STANDARD 350 TOP RAIL



200038 STANDARD 10" BOTTOM RAIL

200799 BOTTOM DOOR SWEEP PACKAGE

069139 THRESHOLD FOR SINGLE ACTING DOORS

DETAIL

SCALE: 3" = 1'-0"
 ARCH REF: N/A

02 SILL

GLASS WALL SYSTEM TYPE:
 KAWNEER 2 1/2" X 5" IR 501 ALUMINUM
 STOREFRONT FRAMING

DETAIL

SCALE: 3" = 1'-0"
 ARCH REF: N/A

05 DOOR HEADER

GLASS WALL SYSTEM TYPE:
 KAWNEER 350 DOOR ON 2 1/2" X 5" IR 501
 ALUMINUM STOREFRONT FRAMING

DETAIL

SCALE: 3" = 1'-0"
 ARCH REF: N/A

06 BOTTOM RAIL

GLASS WALL SYSTEM TYPE:
 KAWNEER DOOR

CONTRACTOR'S GLASS PRODUCTS
 7701 WEBER RD, CORPUS CHRISTI, TX 78315
 WORK (361) 854-8188 FAX (361) 854-4412

PROJECT: **BECK & MASTEN COASTAL BEND**
NEW BUILDING
 ARCHITECT: **VOSS ENGINEERING, INC**
 (361) 854-6202
 GENERAL CONTRACTOR: **VICTORY BUILDING TEAM**
 (361) 891-5600

PROJECT NO.
CGP-1910-01

DRAWN BY: **fp** DATE: **10/09/19**

SCALE: **3" = 1'-0"**

DRAWING: **DETAILS**

SHEET: **D1**

NO.	DATE	BY	DESCRIPTION
1	10/09/19	fp	First Submittal